

HIGH FREQUENCY SOLAR INVERTER PV1800 PRO II Series

4~6KW | 500V | 100~120A | Dual output

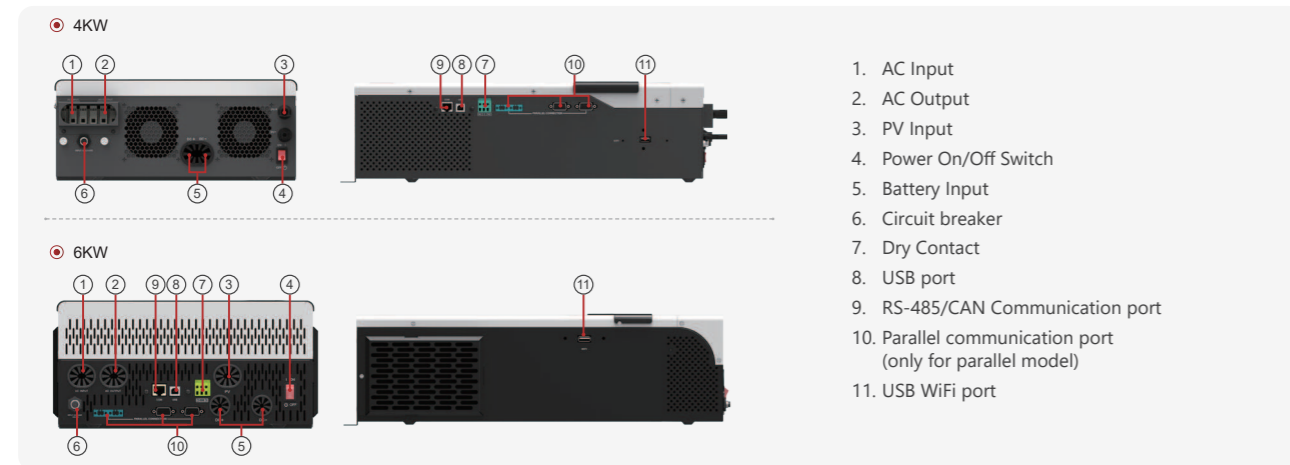
PV1800 PRO II is a multi-function inverter/charger, combining functions of inverter, MPPT solar charger and battery charger to offer uninterruptible power support in portable size. PV1800 PRO II Series can run without battery. The Maximum PV array open circuit voltage can reach 500V and MPPT voltage range is 90~430V for 4KW, 120v~430V for 6KW, which Can help customers make full use of solar energy.



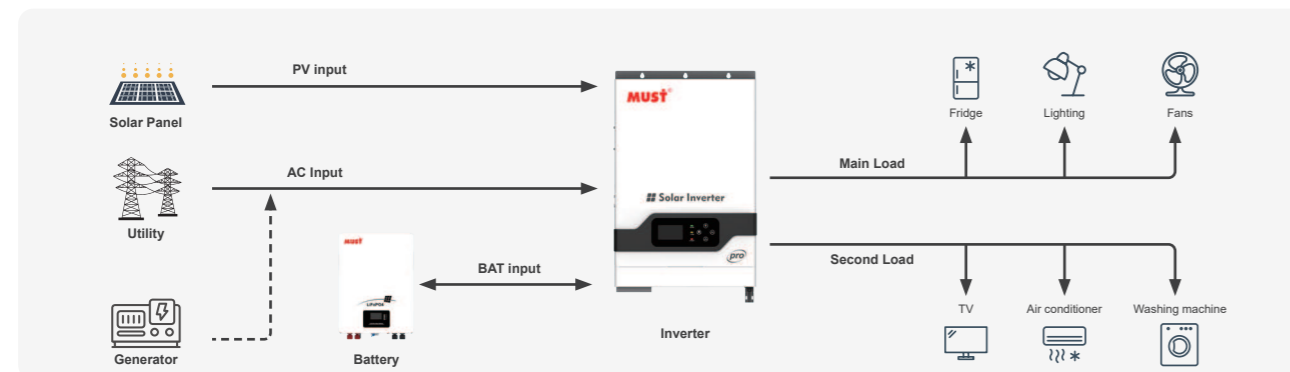
- Pure sine wave output
- Smart LCD setting (Working modes, Charge Current, Charge Voltage, etc).
- Built-in MPPT solar charge controller
- MAX PV Array Open Circuit Voltage: 500V (450V for parallel)
- Can provide the power to the load without battery
- Combining solar system, AC utility, and battery power source to supply continuous power
- Overload, short circuit and Deep discharge protection
- Cold start function
- Support USB, RS485 monitoring function
- Parallel operation with up to 6 units (optional)
- WIFI remote monitoring (optional)
- Dual outputs for smart load management
- Can communicate with lithium batteries



Back panel description



Solar system connection



MODEL	PV18-4024 PRO II	PV18-6048 PRO II
Default Battery System Voltage	24VDC	48VDC
INVERTER OUTPUT		
Rated Power	4000VA / 4000W	6000VA / 6000W
Surge Power	8000W	12000W
Waveform	Pure sine wave	
AC Voltage Regulation (Batt.Mode)	230VAC±5%(Setting)	
Inverter Efficiency(Peak)	92%	
Transfer Time	10ms(UPS / VDE4105) / 20ms(APL) / < 50ms typical (For parallel operation)	
AC INPUT		
Voltage	230VAC	
Selectable Voltage Range	170~280VAC(UPS) / 90~280VAC(APL) / 184~253VAC(VDE)	
Frequency Range	50Hz / 60Hz (Auto sensing)	
BATTERY		
Normal voltage	24VDC	48VDC
Floating Charge Voltage	27.4VDC	54.8VDC
Overcharge Protection	30VDC	60VDC
SOLAR CHARGER & AC CHARGER		
Maximum PV Array Open Circuit Voltage	500VDC (450V for parallel)	
Charging Algorithm	3-Step (Flooded Battery, AGM / GEL / LEAD Battery), 4-Step (Li)	
Maximum PV Array Power	5000W	6000W
PV Array MPPT Voltage Range	90~430VDC	120~430 VDC
Maximum Solar Charge Current	100A	120A
Maximum AC Charge Current	80A	100A
Maximum Charge Current	100A	120A
MECHANICAL SPECIFICATIONS		
Machine Dimension (W*H*D)(mm)	322*486*134	309*505*147
Package Dimension (W*H*D)(mm)	575*229*425	603*260*400
N.W (kg)	9.5	12.5
G.W (kg)	12	13.8
OTHER		
Humidity	5% to 95% Relativ Humidity (Non-condensing)	
Operating Temperature	0°C~50°C	
Storage Temperature	-15°C~60°C	
Communication Interface	USB/ WIFI	
Warranty	2 year	

CERTIFICATION & STANDARDS

CE-EMC+LVD (EN6100-6-3:2007, EN6100-6-1:2017+EN IEC62109-1:2010, EN IEC62109-2:2011)
 EN IEC62368-1:2020+A11:2020
 CE-LVD (IEC62109-1:2010, EN IEC62109-2:2011)
 EN IEC62368-1:2018, EN IEC62109-1:2010, EN IEC62109-2:2011

*The technical specifications of this document are subject to change without any notice